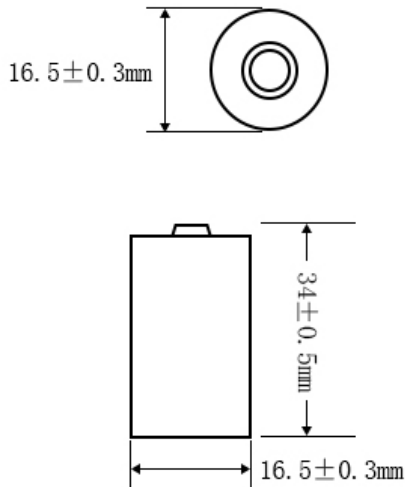


XTAR 16340 850mAh Li-ion Rechargeable Battery



Standard Dimensions



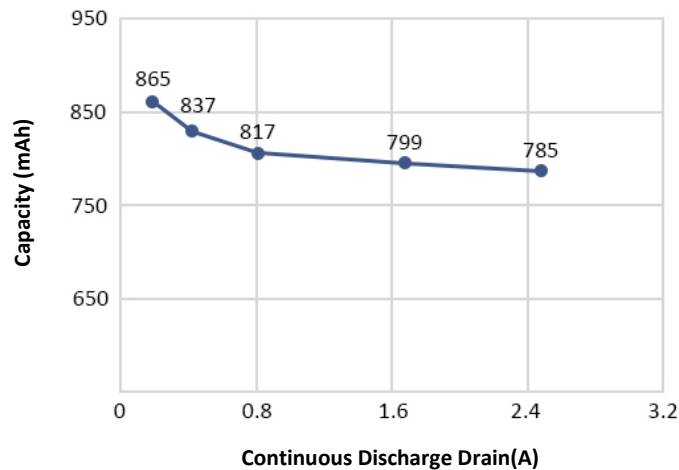
Specifications

Nominal Capacity:	850mAh
Minimum Capacity:	800mAh
Nominal Voltage:	3.6V
Discharge cutoff voltage:	2.5V
Max Continuous Discharge Current:	2.5A
Internal Resistance:	≤ 130mΩ
Cycle Life:	800+
Standard Charging Voltage:	4.2±0.03V
Standard Charging Current:	170mA
Max Charging Current:	600mA
Discharge Overcurrent Protection:	3.0~4.8A
Transport voltage:	3.7~3.9V
Protected:	Yes
Positive Pole:	Button Top
Operating Temperature:	-20 to 60°C
Storage Temperature:	-20 to 50°C (best 25±5°C)
Net Weight:	≤ 18.2g

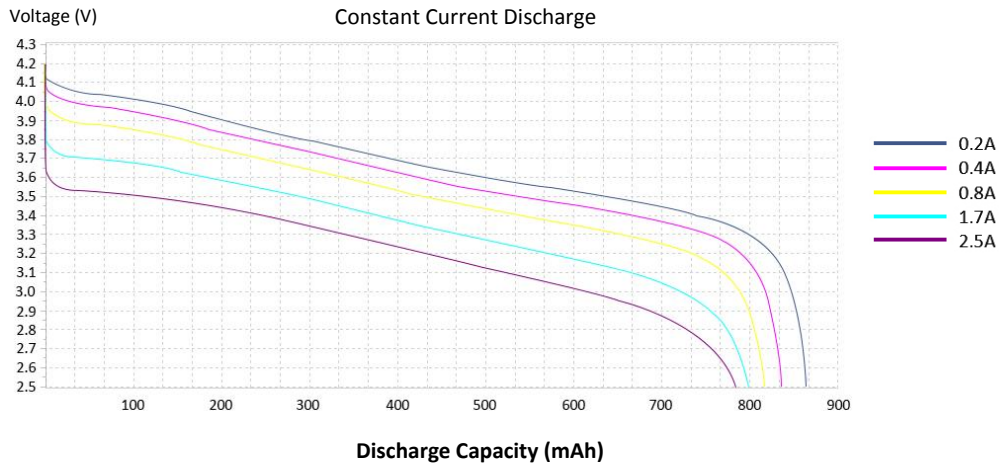
Name	XTAR 3.6V 16340 850mAh Li-ion Rechargeable Battery				
Test Condition	Tests are carried out under the temperature of 20±5°C				
Test Current(A)	0.2	0.4	0.8	1.7	2.5
Measured Capacity (mAh)	865	837	817	799	785
Measured Energy (Wh)	3.2	3.0	2.9	2.7	2.5

Milliamp-Hours Capacity

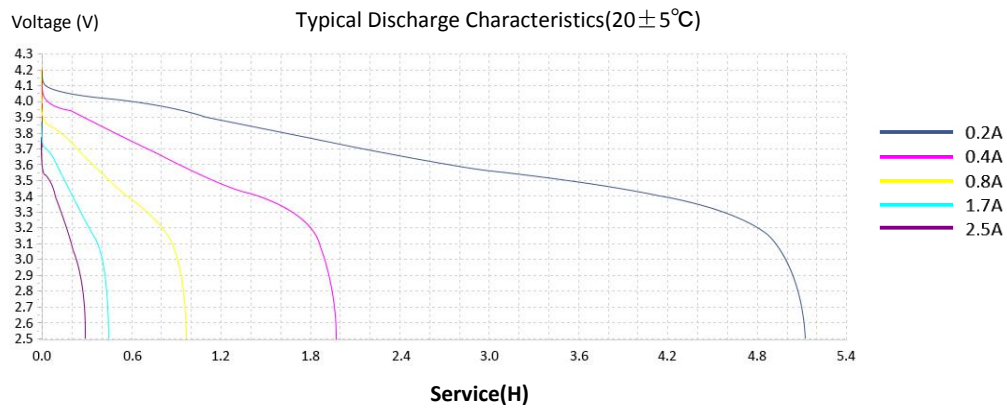
Constant Current Discharge to 2.5 Volts



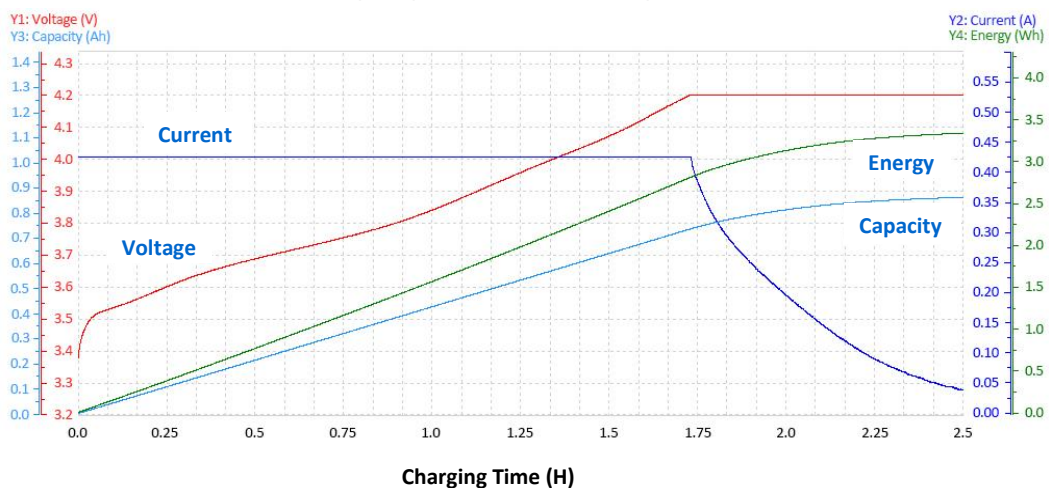
Discharge Profile



Constant Output Performance



Charging Current Diagram



Important Notice

This data sheet contains typical information specific to batteries manufactured at the time of its publication.

Contents herein do not constitute a warranty.

©XTAR - All Rights Reserved