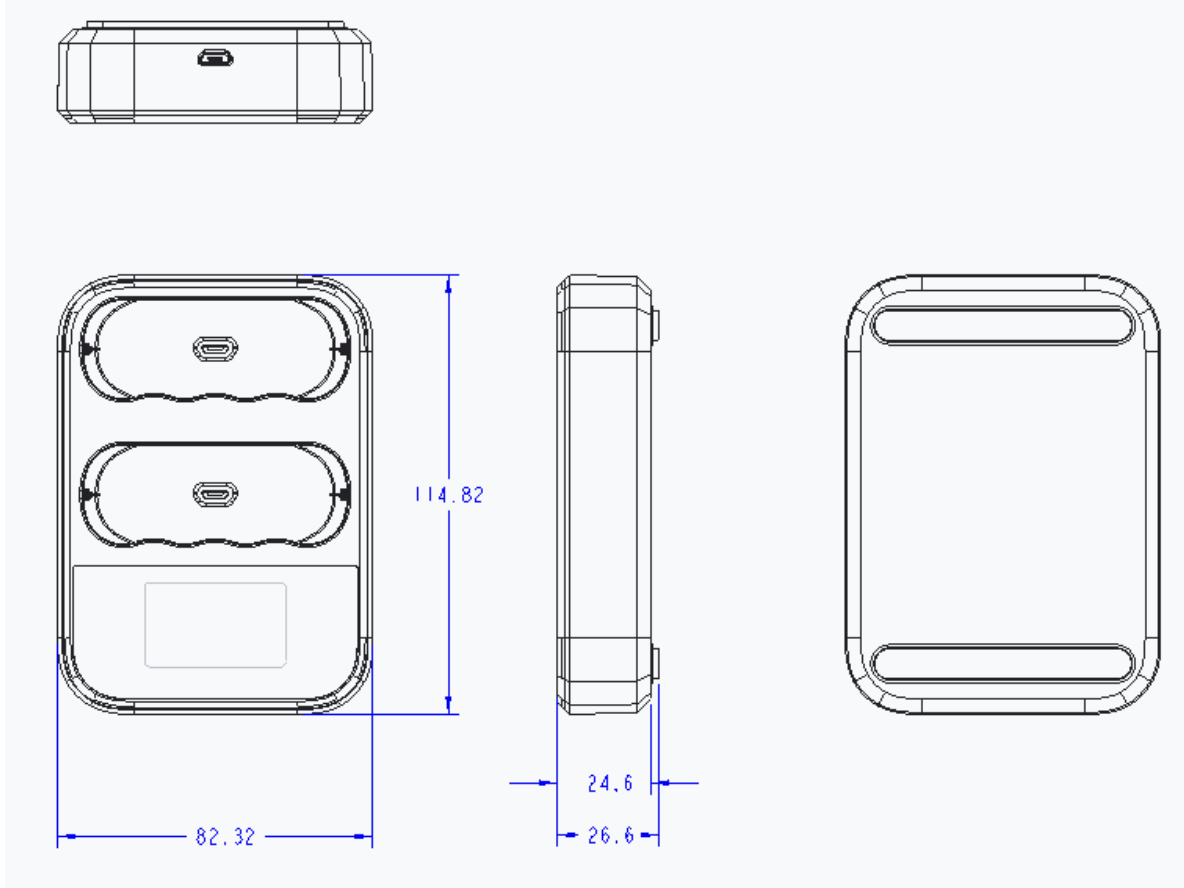


# GP Batteries

## Product Specification

Model no.: D851



---

Product Name	:	USB 8-Slot Charging Dock <b>D851</b>
Input	:	DC5V 2A
Applicable Charger	:	1 or 2 pcs of USB 4-slot Charger of B421, M451 and/or P461
Charging Time	:	Same charging time of 1 or 2 pcs of B421 & M451 charger and 1 pc of P461
Operation Temperature	:	0°C to 35°C
Dimensions	:	115 (L) x 82 (W) x 27 (H) mm
Weight	:	100.5 g (approx.)
Certification	:	CE, FCC, Rohs
Warranty Period	:	12 months from ex-factory date

---

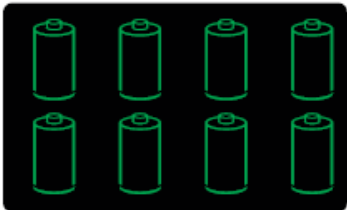
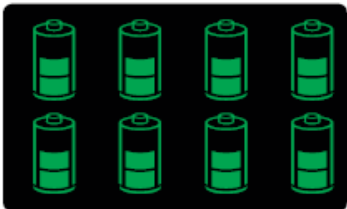
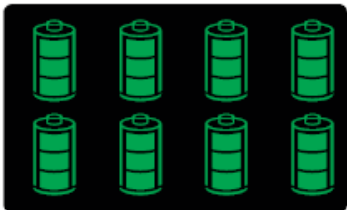
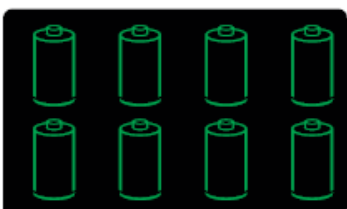
Manufacturer reserves the right to alter or amend the design, model and specification without prior notice.

# GP Batteries

## Product Specification

Model no.: D851

LCD Indication :

CONDITION	SCREEN DESCRIPTION	LCD STATES
Power on and no battery inserted	8 Batteries icon turn on	
Charging in progress	Corresponding battery power block flashing	
When charging is finished and then switch to trickle charge	Corresponding battery all power block invariability	
Bad/ Primary battery inserted	Corresponding battery icon flashing	
Ageing battery	Corresponding warning icon turn on and battery power block flashing	