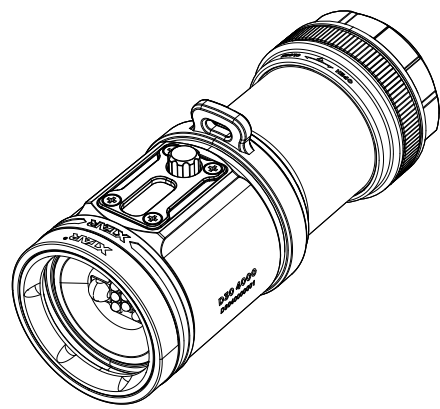




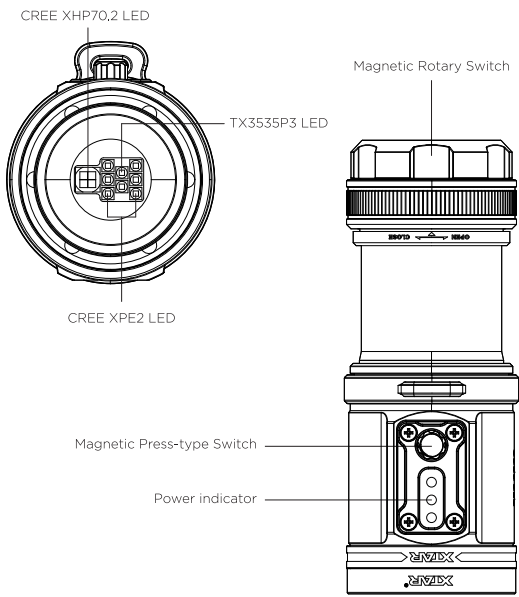
D30 4000

Diving Video Light with Multi-color LEDs



Introduction

D30 4000 is a dive light uniquely devised for taking underwater photographs and videos, with a maximum brightness of 4,000 lumens. This multi-lights dive light can produce blue light to attract underwater creatures, red light to catch a glimpse of the mysterious life of shy creatures, or UV light to enable taking videos of the fancy undersea world. Equipped with battery level display function, D30 4000 will assure you of a safe journey.



Technical Parameters

ANSI	Illumination Modes			
	White/high	White/mid	White/low	Red/Blue/UV
Brightness	4000lm	2000lm	1000lm	9W/9W/6W
Runtime	2.5hrs	4.8hrs	9.6hrs	12hrs
Drop test	1m			
Depth ratings	IPX8 (Underwater 100m)			
Size	Φ57.2mm(Head) × Φ59mm(Body) × Φ56.5mm(Tail) × 149.8mm(Length)			
Net weight	465g (Battery excluded)			

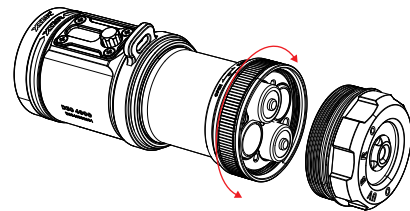
Notice:

- Runtime mentioned above is an approximate value-tested in the lab environment with XTAR 18650 3500mAh Li-ion batteries-and may vary per different battery parameters and operating environment.
- Operating voltage: 12.0V-16.8V
- Compatible battery: four protected 18650 batteries

Operation

1. Place batteries

Turn the screw type ring at the tail in an anticlockwise direction. Open the tail cap, and put inside the batteries with their cathodes aimed at the spring. Then align the bolt on tail cap with the biggest hole among all three holes. You may close the tail tap tight by turning again the screw type ring clockwise.



2. Modes

Primary white light and multi-lights auxiliary light of D30 4000 are controlled independently by different switches. The press switch controlling the white lights is at the top of the body, and you may select modes by each single press in the order of "off, high, mid, low and off". While the rotary switch controls the auxiliary light in an order of "off, red, blue, UV and off". There are as many as 15 kinds of lighting modes by randomly joined the two lights. Specific operations and their related modes are as follows:

Press switch (head) / Rotary switch (tail)	Off	White high	White mid	White low
	Off	White high	White mid	White low
Red light	Red	White high+red	White mid+red	White low+red
Blue light	Blue	White high+blue	White mid+blue	White low+blue
UV light	UV	White high+UV	White mid+UV	White low+UV

3. Battery indicators

- When battery capacity runs down to 66% and above, three indicators remain on;
- When running down between 33% and 66%, two indicators remain on;
- When running down between 5% and 33%, only one indicator is on;
- And one indicator will flash when battery runs down below 5%. At this point, the battery needs to be replaced as soon as possible, not to affect the normal use or cause over-discharge.
- Once below 5%, the dive light will automatically enter moonlight mode with extreme low brightness, avoiding sudden power shortage. At this mode, changing the brightness is not allowed. A single press turns the light off.

4. Lock mode

Press the switch for 3 seconds when the white light is off. The white light will flash three times and it then enters lock mode. At this mode, normal operation of press switch and rotary switch cannot work. This is to prevent that lights are accidentally turned on while in transit or carried. You may exit the lock mode by hold the press switch for 3 seconds, and then turn on the light.

Tips

- Make sure the cathodes (-) are aimed at the spring when placed inside (this brand has a function of anti-reverse protection).
- Four fully charged batteries should be used at the same time. This is to avoid that certain battery is fully discharged beforehand due to imbalanced battery capacity, and affect battery cycle life or its runtime. Considering that a stand-by dive light will deplete its charge, you should take out the batteries when not using the dive light for a while.
- Do not wipe the battery with high caustic material.
- Trouble shooting

Reasons	Solutions
Low Battery or not compatible	Replace batteries
Improperly placing the battery	Ensure the cathode (-) aims at the spring
Poor contact	1.Clean the battery contact with alcohol 2.Tighten head or tail cap

- Wash the dive light with clean water after use. Repeatedly press the switch while washing to make sure that seawater inside the switch is drained. Then put it back after dried.
- The waterproof o-ring at the body needs to stay lubricated to ensure normal use of the dive light. Do not wipe clean lubricants at the thread and immediately replenish it when finished.
- Please visit www.xtar.cc for more updated information.

After-sales

After-sales service is available when warranty number is provided to the dealer. XTAR provides:

- Replacement at no cost within 15 days
- 24 months warranty. Or beyond 24 months, free maintenance can be provided only with extra charge for replaced parts. Our dealer will inform you of any material cost or freight charge before maintenance service.
- Lifelong technical support.

Notice:

- Failure incurred by improper use or storage is not entitled to free replacement and maintenance.
- Welcome to register as a member of www.xtar.cc, and enjoy membership service.
- Warranty number (9 to 11 digits) can be found at the package or on product.

After-sales Email: service@xtar.cc

Anti-counterfeit Inquiry

- An 18-digit number will show after scratching off the anti-counterfeit label on the package.
- Input the number into the query page on www.xtar.cc (Contact Us - Anti-counterfeit)



Warning: Do not direct the light towards the eyes. Serious injury or blindness may occur by misuse.



Shenzhen XTAR Electronics Co., Ltd
Address: 5th Floor, No.77 Xinde Rd., Shangmugu, Pinghu Area, Longgang District, Shenzhen, Guangdong, China
Zip Code: 518111 Website: www.xtar.cc
Email: info@xtar.cc Tel: +86-755-25507076
Fax: +86-755-25507076

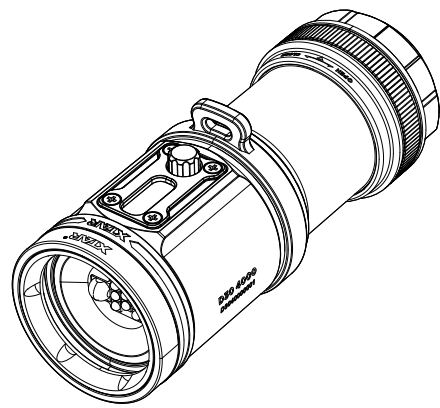


Facebook



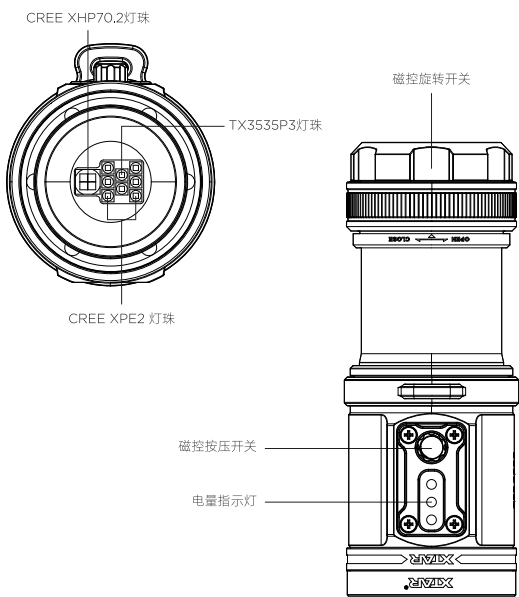
D30 4000

多色光源潜水摄影手电筒



简介

D30 4000是一款专为水下拍照和摄影所设计的潜水手电，最高4000流明输出。用蓝光吸引水下生物接近，红光捕捉害羞生物的神秘生活，UV光记录梦幻的海底世界，搭配电量提醒，为您的旅途保驾护航。



技术参数

ANSI	照明模式			
	白光高亮档	白光中亮档	白光低亮档	红光/蓝光/UV光
亮度	4000lm	2000lm	1000lm	9W/9W/6W
续航时间	2.5hrs	4.8hrs	9.6hrs	12hrs
防水等级	IPX8 (水下 100m)			
尺寸	Φ57.2mm(头部直径) × Φ59mm(筒身直径) × Φ56.5mm(尾部直径) × 149.8mm(长度)			
净重	465g (不含电池)			

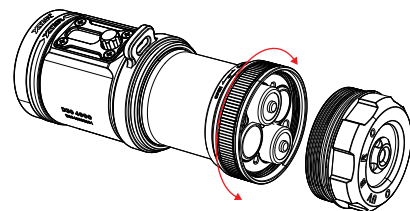
注意:

- 上述续航时间 (是由爱克斯达18650 3500mAh的锂电池在实验室环境下测试得出) 为近似值, 可能会随着电池的性能参数和使用环境而发生变化。
- 工作电压: 12.0V-16.8V
- 适用电池: 4节带保护板的18650锂电池

操作

1. 电池安装

逆时针旋转手电筒尾部螺丝环, 打开尾盖, 将电池负极 (-) 对准有弹簧的一端放入, 将手电筒尾盖上的螺钉对准三个孔之中最大的孔, 顺时针旋转尾部螺丝环即可拧紧尾盖。



2. 工作模式

D30 4000的主照明灯白光和多色光辅灯由两个不同的开关独立控制。筒身头部的按键控制白光, 单击切换白光档位: 关机-高亮-中亮-低亮-关机; 尾部旋钮开关控制辅灯: 关机-红光-蓝光-UV灯-关机。两种灯光可随机组合成多达15种发光模式。具体操作及对应的模式如下:

尾部旋钮开关	头部按压开关	关闭	白光高亮	白光中亮	白光低亮
		关闭	关灯	白光高亮	白光中亮
红光	红光	白光高亮+红灯	白光中亮+红灯	白光低亮+红灯	
蓝光	蓝光	白光高亮+蓝光	白光中亮+蓝光	白光低亮+蓝光	
UV灯	UV灯	白光高亮+UV灯	白光中亮+UV灯	白光低亮+UV灯	

3. 电量提醒

- 当电池电量高于66%左右时, 三颗指示灯常亮;
- 电量为33%-66%左右时, 两颗指示灯常亮;
- 电量为5%-33%左右时, 一颗指示灯常亮;
- 低于5%左右时一颗指示灯闪烁, 此时, 需尽快更换电池, 避免影响正常使用或导致电池过放。
- * 电量低于5%时, 手电筒会自动进入极低亮度的月光模式, 防止突然断电。此模式下, 不可切换档位, 单击一次按键即可关机。

4. 锁键模式

手电筒在白光关机状态, 长按按键3秒, 白光会闪烁3次, 此时进入锁键模式, 常规按键操作与旋钮操作都无法作用, 以防止用户在携带或运输时, 因误碰打开手电。在锁键模式下长按按键3秒, 可退出锁键模式打开手电。

提示

- 请确保电池负极 (-) 对准弹簧装入 (这款手电筒带有防反接功能, 以防电池正负极装反)。
- 使用电池时需四节同时充满电一起使用, 避免电量不平衡导致某一节电池提前放空, 影响电池寿命及使用时长; 考虑到手电筒待机时会消耗电量, 当手电筒长时间不用时, 请将电池取出。
- 请勿用强腐蚀性物质擦拭电池。
- 手电筒不工作, 故障排除:

可能原因	解决办法
电池电量耗尽或不兼容	更换电池
电池安装不当	确保电池负极 (-) 对准弹簧
接触不良	1.用酒精清洁电池的接触表面 2.拧紧手电筒头盖或尾盖

- 手电用完后需用清水冲洗, 冲洗时反复按压开关, 确保把开关里面的海水排出, 然后晾干保存。
- 为保证手电筒的正常使用, 筒身处的防水圈需保持润滑, 请勿将螺旋处的润滑油擦掉, 没有油时需要及时补上。
- 了解更多更新的信息, 请访问www.xtar.cc。

售后服务

请向经销商提供保修编号以获得售后服务。XTAR将提供以下服务:

- 15天免费换新。
- 2年内免费保修。若问题发生在2年之后, 我们将提供免费维修服务, 但收取所用零件的费用。经销商会在维修前通知您材料费及相关运费。
- 终身技术支持。

注意:

- 因用户使用、保管不当而产生的故障不享有免费包换和保修。
- 欢迎注册XTAR官网会员 (www.xtar.cc), 享受会员服务。
- 保修编号 (9-11位) 可在包装或产品上找到。

售后服务邮箱: service@xtar.cc

防伪查询

- 刮开包装上的防伪标签, 得到18位数字。
- 欢迎注册XTAR官网会员 (www.xtar.cc), 享受会员服务。



警告: 请不要将手电直射眼睛, 否则可能因误用而造成严重伤害或失明。



深圳市爱克斯达电子有限公司
地址: 广东省深圳市龙岗区平湖街道木吉社区新河路77号5楼
邮编: 518111 官网: www.xtar.cc
邮箱: info@xtar.cc 电话: (+86) 755-25507076
传真: (+86) 755-25507076



微信