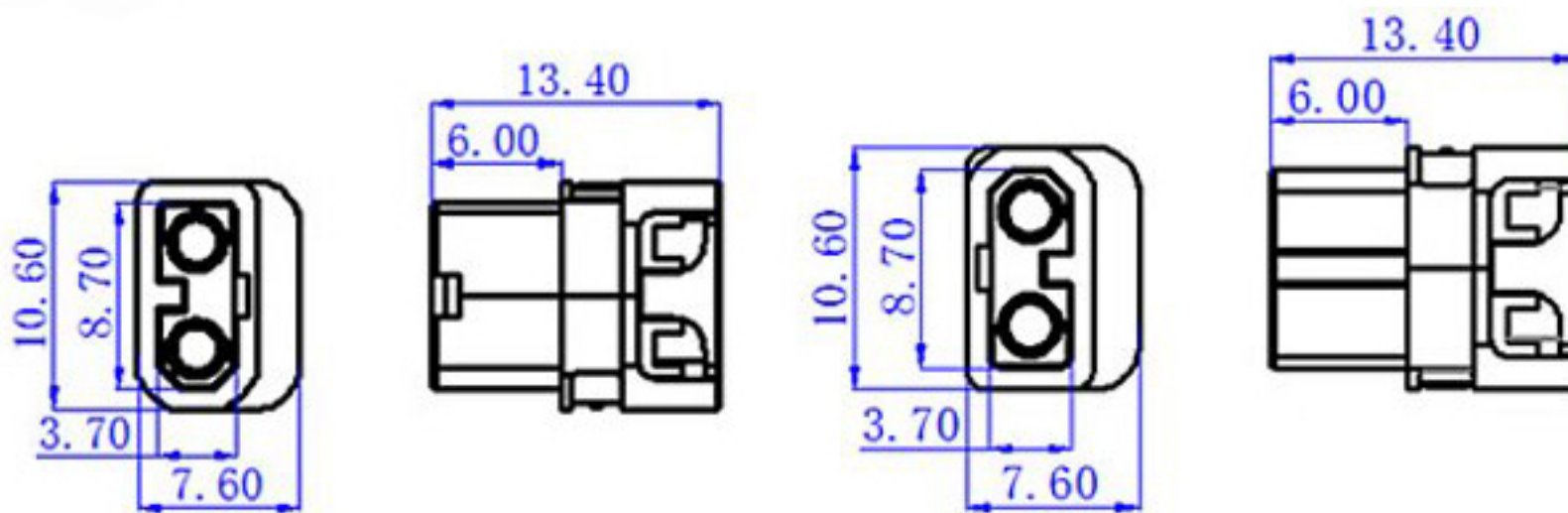
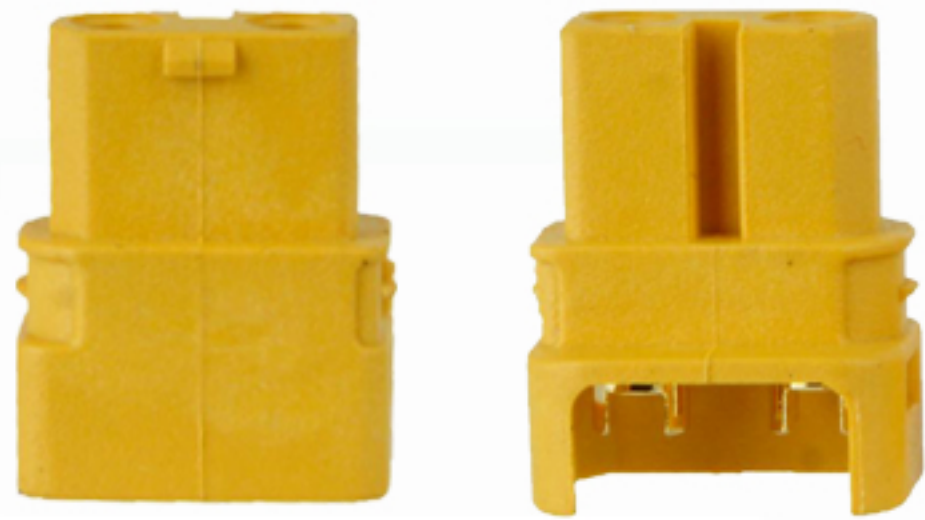


# AMASS

- (Item No): XT30ULW-F
- (Patent):
- (Drawing)



■ (Material & Parameter)

Item No.	XT30ULW-F	CR	0.65mΩ
COLOR	<b>3</b>		DC 500V
Metal Material	Brass Gold Plated	RC	15A
Plastic Material	PA66 DF25 V0	MC	30A
FR LEVEL	UL94 V0	USE TIMES	1000 TIMES
Recommend USE	CONTROLLER/ CHARGER	Cable SPEC.	18AWG
12AWG TEMPERATURE RISE	/	14AWG TEMPERATURE RISE	/
CERTIFICATION	CE/UL	Insertion Force	1.2-3.0kg ≥5kg
WELD METAL	/	TEMPERATURE	-20°C to 120°C