

PRODUCT NUMBER

76384-YXXZ

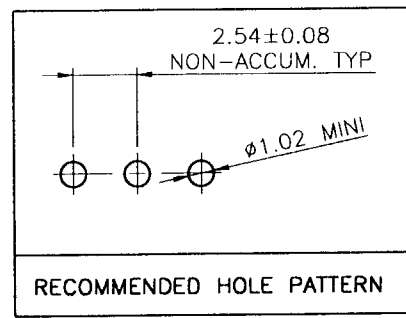
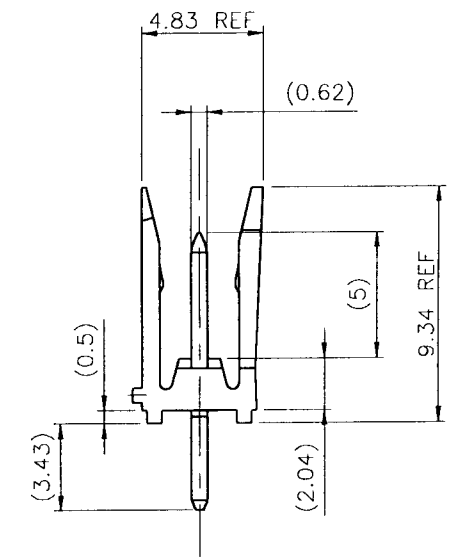
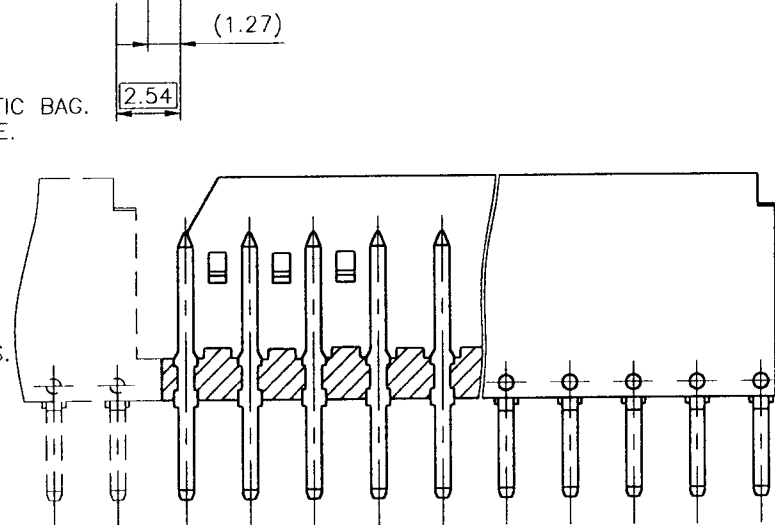
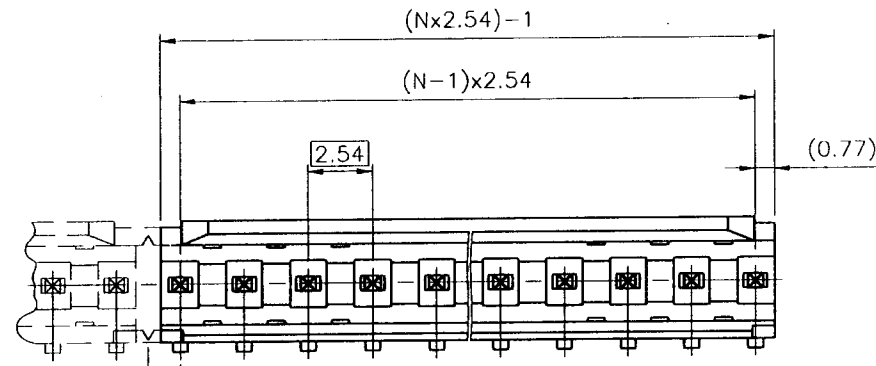
OPTIONAL LETTER SEE NOTE 7.
NUMBER OF POSITIONS: 02 TO 36.

PLATING CODE

- 3= 0.76µm GOLD ON CONTACT AREA.
3.81µm TIN-LEAD ON TAIL.
- 4= 5µm TIN-LEAD ON CONTACT AREA.
3.81µm TIN-LEAD ON TAIL.

NOTES:

- 1 - HOUSING MAT'L: THERMOPLASTIC GLASS FILLED FLAME RETARDANT PER UL 94 V-0 COLOR: BLUE.
- 2 - TERMINAL MATERIAL: PHOSPHOR BRONZE.
- 3 - 1 UP TO 6 POSITIONS PRODUCT PACKED IN PLASTIC BAG.
7 UP TO 36 POSITIONS PRODUCT PACKED IN TUBE.
- 4 - TO DETERMINE DIMENSIONS:
N = NUMBER OF POSITIONS
EXAMPLE: 8 POS: (N x 2.54) - 1 = 19.32 mm
- 5 - MINI PUSH-OUT FORCE TERMINAL IN BOTH DIRECTIONS 22N.
- 6 - ONLY DASH NUMBER -X02 AND -X03 ALWAYS TEN (10) PRODUCTS MOLDED ASSEMBLY & DELIVERY TOGETHER ACCORDING PHANTOM LINES.
- 7 - A LETTER "C" AT THE END OF PART NUMBER INDICATE A PACKAGING IN SHORT TUBE.



mat'l. code SEE NOTES				tolerances unless otherwise specified				CUSTOMER COPY		ELECTRONICS www.fciconnect.com	
ltr	ecn no	dr	date	linear				projection	title SHR. HEADER STR SR TMT		
F	F10540	DGR	91.07.08	angles					product family DUBOX		code 213
G	F90151	DLE	99.03.03	linear					size A3	sheet 1 of 1	
H	F90331	DLE	99.05.07	linear				scale 5:1	dwg no 76384		
J	F10103	CCO	01.01.12	dr	D	LEGRAND	99.03.03		revision K		
K	F10343	DLE	01.06.12	engr	JM	PHAMVAN	99.03.03		sheet 1		
				chr	JM	PHAMVAN	99.03.03				
				appd	JM	PHAMVAN	99.03.03				
sheet index	revision	K									

In case of any discrepancy between the drawing and the product, the customer shall refer to the product. FCI Electronics S.p.A. - Via S. Felice 10 - 20090 Sesto San Giovanni (MI) - Italy

In case of any discrepancy between the drawing and the product, the customer shall refer to the product. FCI Electronics S.p.A. - Via S. Felice 10 - 20090 Sesto San Giovanni (MI) - Italy