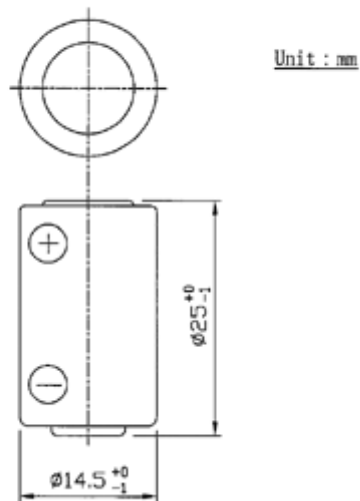


## CR1/2 6L Specification

### Shape Dimension

Fig. CR1/2 6 · L Shape & Dimensions



Nominal Voltage	3.0V
Nominal Capacity	1,000mAh to 2.0V at 23°C (73.4°F)
Weight	8.0g
Max. Dimensions	Ø14.5 x 25.0 (mm)

- ▶ Operation Temp: -40°C ~ +85°C
- ▶ When the operation temperature exceeds -20°C ~ +60°C, please consult FDK.